



DATASHEET:
**THREE DIGITAL
PCB UNIT DI 20112**

PRODUCT SUMMARY

The Delta Integrated Three Digital PCB Unit is one of a range of base units that can be connected easily to other items of equipment, such as valve monitoring equipment, fire alarm panels and many other applications.

It features 3 digital inputs and a single relay control output perfect for housing in custom enclosures or inside pre-existing equipment.

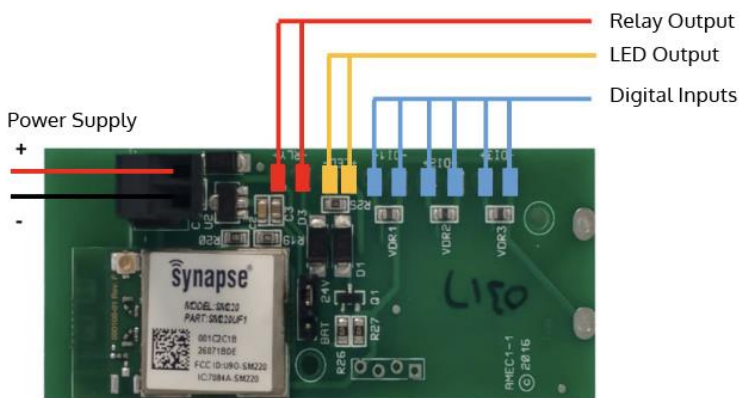
It is the perfect solution for simple single device control and monitoring where the node needs to be mounted in special enclosures or within the monitored devices enclosure providing a cleaner integrated product.

BENEFITS AT A GLANCE

- 3 x Digital Inputs for a simple, cost-effective monitoring and control system solution
- 1 x Relay Control Output to be connected to a relay coil
- 1 x LED Output
- Compact design perfect for installation in tight spaces
- Transmit Power output up to +20 dBm
- SNAP mesh enabled (2.4GHz, IEEE 802.15.4)
- RF Data rate up to 2Mbps
- Powerful processing to manage the data to and from the inputs and outputs at high speeds
- Self-healing mesh network
- -20°C to +60°C Industrial operating temperature

**DATASHEET:
THREE DIGITAL
PCB UNIT DI 20112**

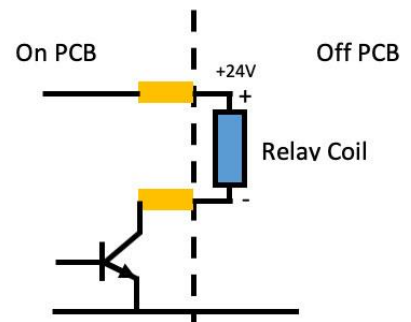
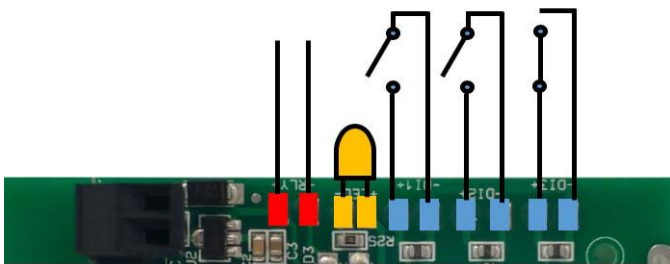
CONNECTION DIAGRAM



DETAILS

- Power Supply: 24Vdc @ 150mA
- Relay Control Output
– Open Collector Output 100mA
- LED Output
- Digital Inputs / Dry Contact / Volt Free Contact / Simple Switch
– Either Normally Open or Normally closed.

RELAY DIAGRAM



COMPLIANCE

- ACMA Radiocommunication (Low Interference Potential Devices) Compliant
- SNAP mesh enabled (2.4GHz, IEEE 802.15.4)

APPLICATIONS

- Monitoring standalone devices
- Monitoring multiple outputs of a single device
- Simple (1 output) control systems
- Simple (1 output) localized (non-mesh) monitoring and control

SPECIFICATION

Electrical rating

- 12-24Vdc

Dimensions

- 72.5 x 32 x 20.5mm

Mounting

- 2 x 1.5mm diameter mounting holes

PRINCIPLES OF OPERATION

The DI 20112 operates using the SNAP Mesh Network. This innovative and secure technology ensures stable and near instantaneous network communications. In the event that the direct route of communication between units is broken the mesh can reroute communications to ensure continued communication.

CERTIFICATION

- FCC Part 15.247, FCC ID: U90-SM220
 - Industry Canada (IC), 7084A-SM220
-