



DATASHEET: DELTA EDGE FIELD CONNECTION DEVICE

PRODUCT SUMMARY

Your Fire & Process alarms can now be monitored after hours or in unmanned facilities.

Connecting your Linea Direct or Indirect Gas Suppression system is one of a range of devices that can now be connected easily to the Fire Indicator Panel, Security System, or Internet. Other items of equipment, such as valve monitoring, fire alarm sub panels and many other applications.

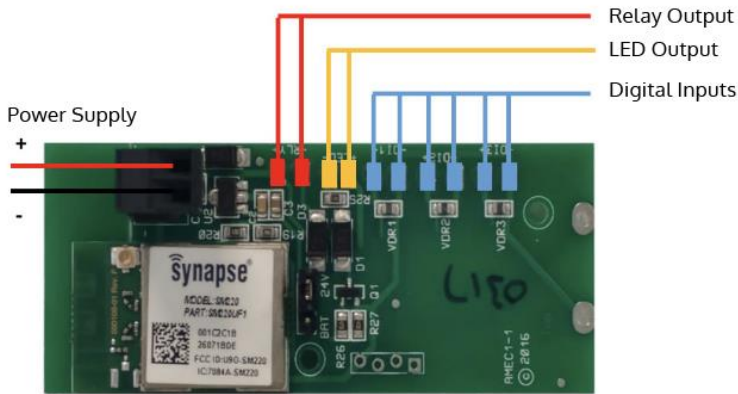
Features that Included Digital & Analogue Input & Relay output. Power Supplies, Including 12/24vdc or on Integral AA Batteries

It is the perfect solution for single device. where the node needs to be mounted in an enclosure or within the monitored equipment providing a clean integrated product.

BENEFITS AT A GLANCE

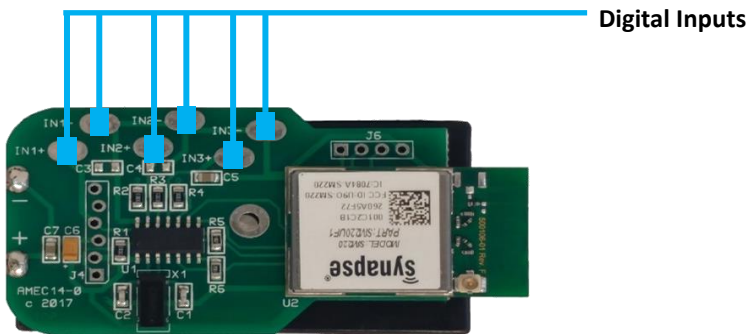
- Models Include - 12/24vdc with optional PSU or 2 x AA Batteries for up to 12 mths monitoring
- Digital Inputs for a simple, cost-effective monitoring and control system solution
- Supervised switched Input
- Analogue Input
- Relay Control Output
- LED Output for remote Indication
- Transmit Power output up to +20 dBm
- SNAP mesh enabled (2.4GHz, IEEE 802.15.4)
- RF Data rate up to 2Mbps
- Powerful processing to manage the data to and from the inputs and outputs at high speeds
- IP rated allowing for external applications
- Self-healing mesh network
- -20°C to +60°C Industrial operating temperature

**DATASHEET:
EDGE FIELD DEVICE
PCB UNIT 20104,
20110 & 20112**



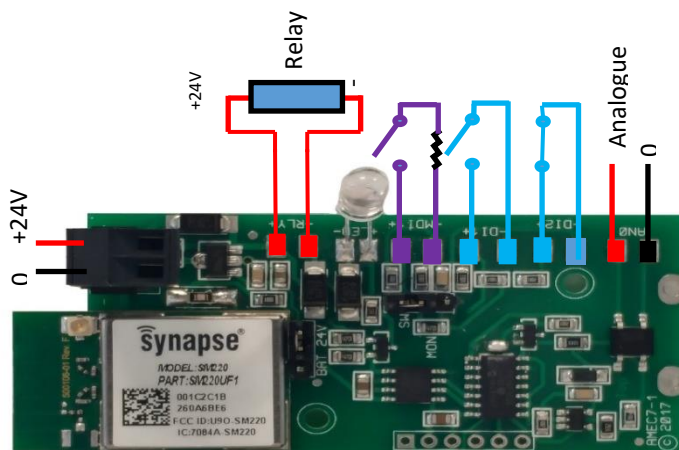
DETAILS

- Part # DI 20104
- Power Supply: 12/24Vdc @ 250mA optional
- Relay Control Output – Open Collector Output 100mA
- LED Output
- Digital Inputs / Dry Contact / Volt Free Contact / Simple Switch – Either Normally Open or Normally closed.



DETAILS

- Part # DI 20110
- Power Supply: 2 x AA Batteries
- Digital Inputs / Dry Contact / Volt Free Contact / Simple Switch – Either Normally Open or Normally closed.



DETAILS

- Part # DI 20112
- Power Supply: 2 x AA Batteries
- 2 Digital Inputs / Dry Contact / Volt Free Contact / Simple Switch – Either Normally Open or Normally closed.
- 1 Digital supervised Input
- 1 Analogue 4 - 20ma Input

COMPLIANCE

- ACMA Radiocommunication (Low Interference Potential Devices) Compliant
- SNAP mesh enabled (2.4GHz, IEEE 802.15.4)

APPLICATIONS

- Monitoring standalone devices
- Monitoring multiple outputs of a single device
- Simple (1 output) control systems
- Simple (1 output) localized (non-mesh) monitoring and control

SPECIFICATIONS

Electrical rating

- 12-24Vdc pn: - 20104 & 20112
- 2 x AA pn: - 20110

Dimensions

- 72.5 x 32 x 20.5mm

Mounting

- 2 x 1.5mm diameter mounting holes

PRINCIPLES OF OPERATION

Operates using the SNAP Mesh Network or "Point to Point" . This innovative and secure technology ensures stable and near instantaneous network communications. In the event that the direct route of communication between units is broken the mesh can reroute communications to ensure continued communication.

CERTIFICATION

- FCC Part 15.247, FCC ID: U90-SM220
 - Industry Canada (IC), 7084A-SM220
-